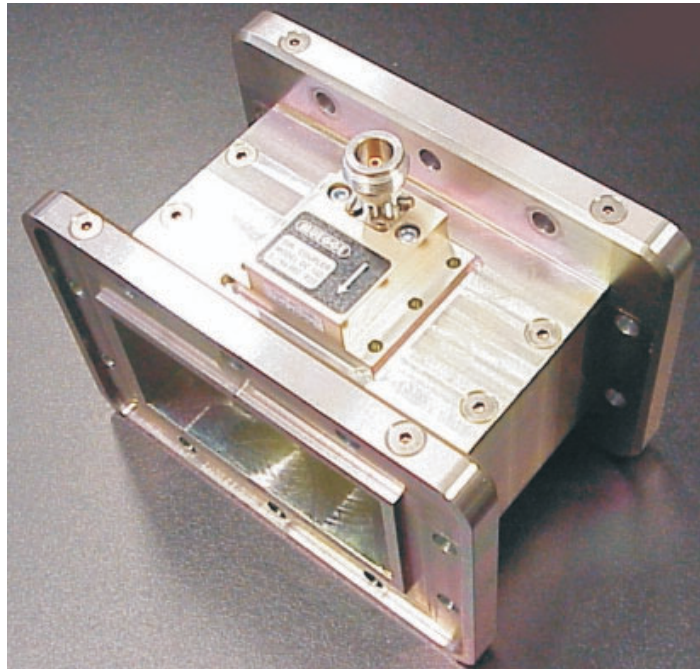


# Industrial Microwave Power

Waveguides



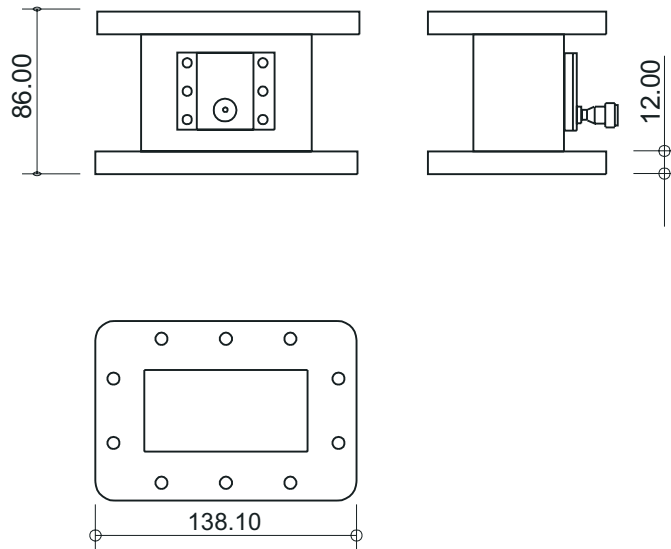
## LOOP COUPLER TYPE: WG340SDC

### FEATURES:

- Directional coupler with integrated load resistor
- monitors incident and reflected power
- N-connector

# Loop Coupler TYPE: WG340SDC

## Waveguides



### Specifications:

- Waveguide	: WR340/R26	COUPLER	: MM1002C-110AB
- Flange	: Standard	- Connector	: N
- VSWR	: 1,05	- Frequency	: 2,45 GHz +/-25MHz
- main arm	: 30 kW max.	- Coupling	: 60 dB +/- 1
- Termination	: 50 Ohm integr.	- Directivity	: 25 dB min.
- Weight	: ca. 800 g ( AL )		

### Options:

- special flanges	Material	Finish
- special finish	- aluminium	- chromated
- SMA-connector	- copper	- etched
	- brass	- silver plated
		- painted